

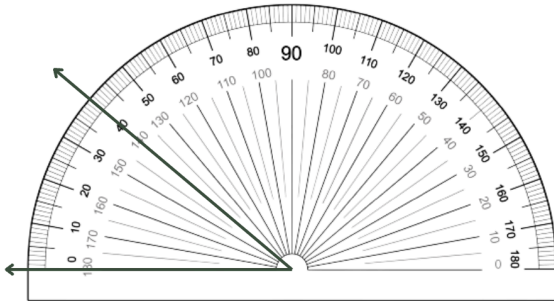
Name: \_\_\_\_\_



# Measuring Angles Using a Protractor

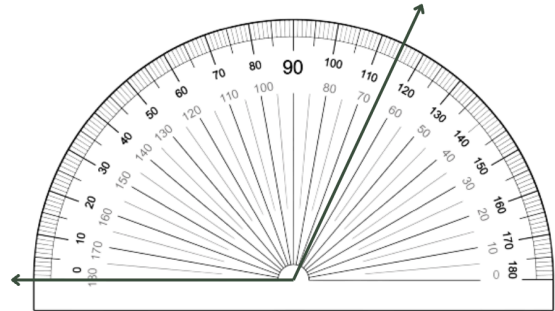
Directions: Measure each angle using the protractor.

1.



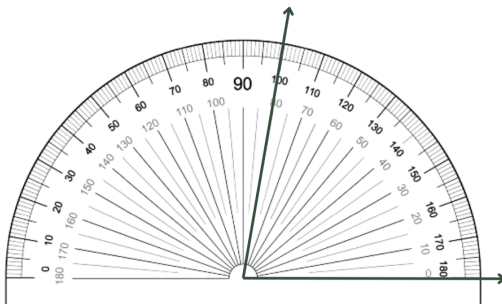
\_\_\_\_\_

4.



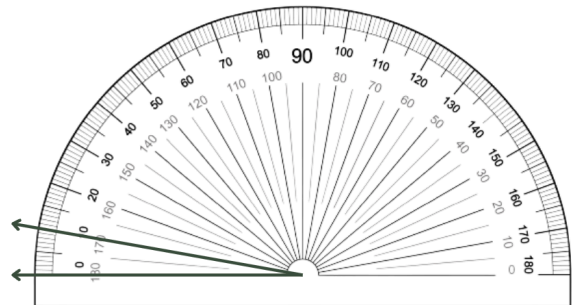
\_\_\_\_\_

2.



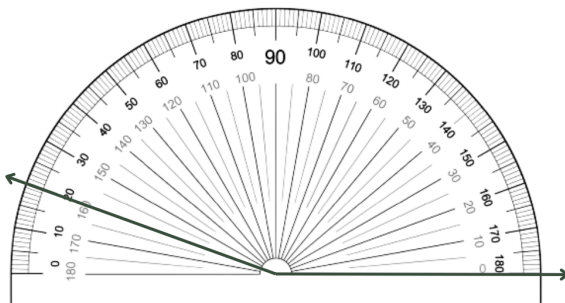
\_\_\_\_\_

5.



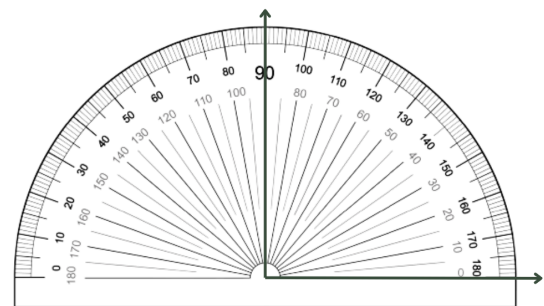
\_\_\_\_\_

3.



\_\_\_\_\_

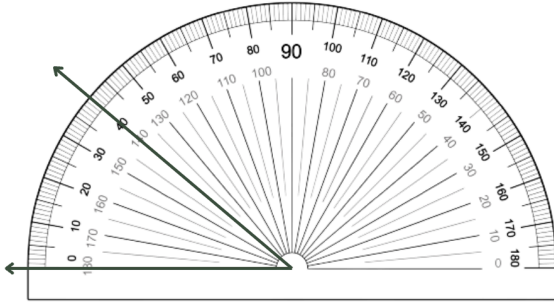
6.



\_\_\_\_\_

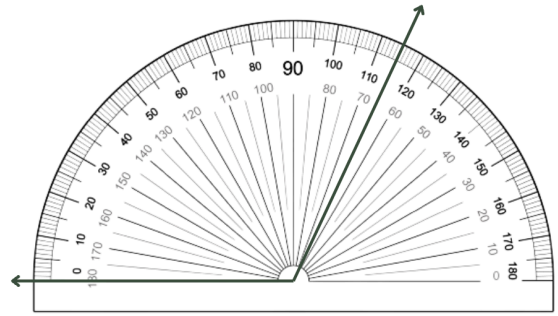
# ANSWER KEY

1.



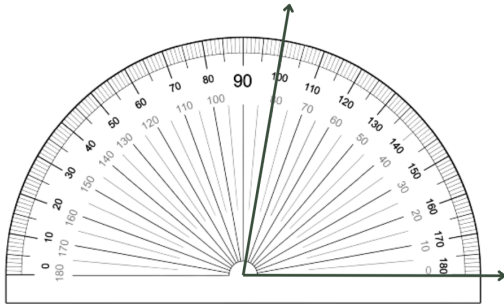
40°

4.



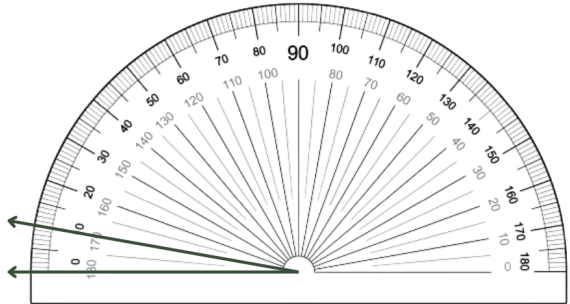
115°

2.



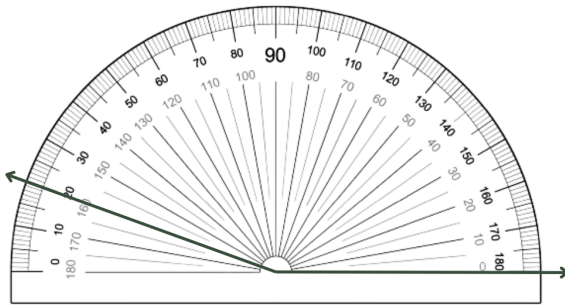
80°

5.



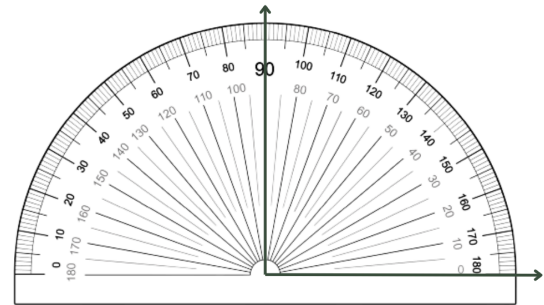
10°

3.



160°

6.



90°