

Name: _____

Lesson Guide

This lesson guide accompanies the following video lesson:

Finding Volume of Rectangular Prisms



Notes:

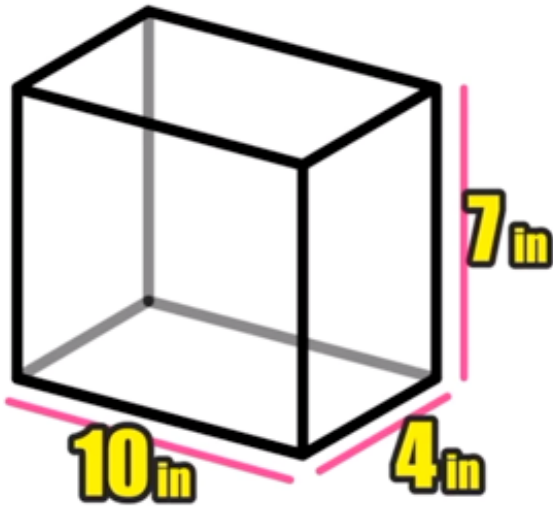
> The Volume of a rectangular prism is dependent on its:

L _____, W _____, and H _____.

> The volume of a figure is a measure of the amount of space _____ of the figure.

> In Geometry, volume is expressed in _____ units.

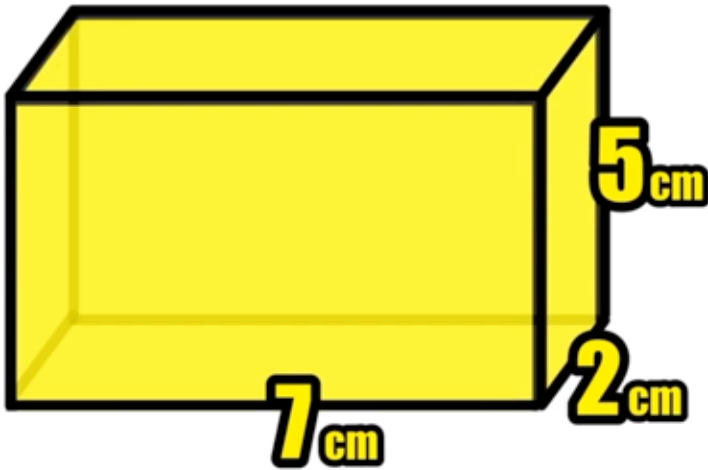
Example 01: Find the volume of the right rectangular prism in terms of cubic inches.



Volume = _____

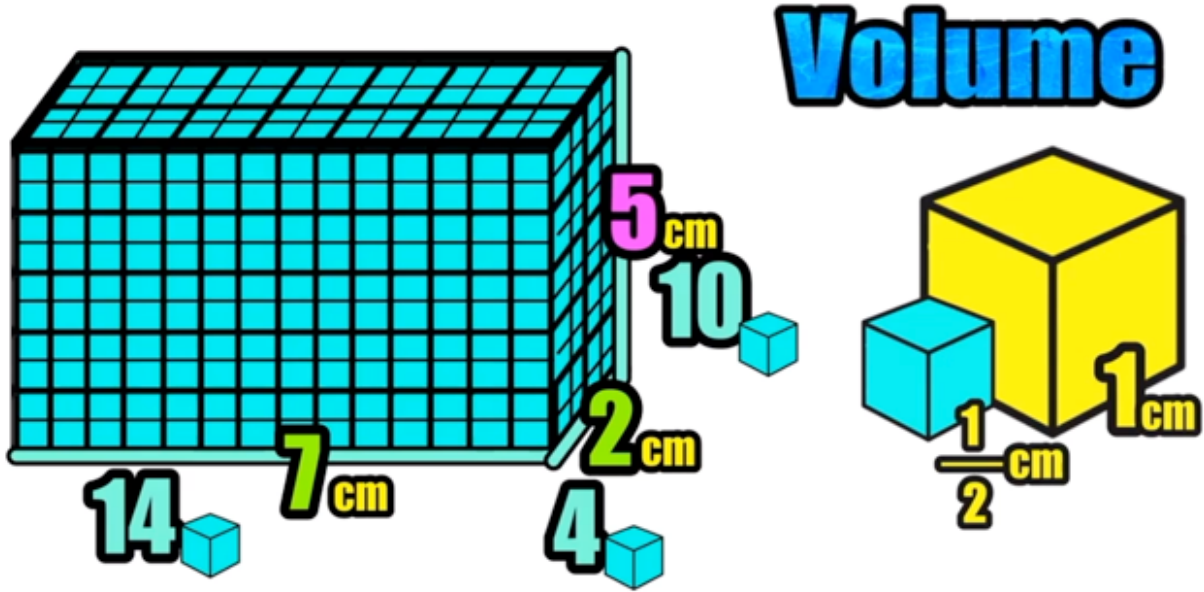
$$V = L \times W \times H$$

Example 02: Find the volume of the right rectangular prism in terms of cubic centimeters.



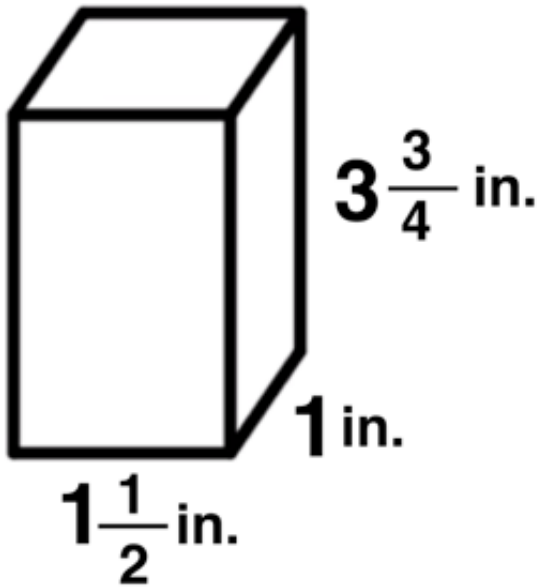
Volume = _____

Example 03: Find the volume of the right rectangular prism in terms of $\frac{1}{2}$ cubic centimeters.



Volume = _____

Example 04: How many $\frac{1}{4}$ in. cubes will fit inside of the prism?



Volume = _____